

ENERGY EFFICIENT **GRUNDFOS CR** SOLUTIONS

be
think
innovate

GRUNDFOS 

CR Range



The complete Grundfos CR range: The last word in multi-stage pump technology

Grundfos was the first pump manufacturer ever to create a multi-stage in-line pump. Known as the CR pump, this innovative design has inspired followers all over the world. Even so, continuous development and innovation ensure that the Grundfos CR remains unmatched.

The CR of today reflects the needs and requirements of customers worldwide. We know this, because we asked you first! Read on to learn about our comprehensive CR range.



CRN 5 installed in a water treatment plant



CR pumps installed in a dairy plant

The CR range has the right pump for the job

Choosing the right pump can be difficult. It may be easy enough to find a pump that will do the job, but it gets trickier when you want an *exact* match. There are many good reasons to avoid over-capacity, with energy conservation at the top of the list. The CR range lets you choose pumps which exactly match your system demands.

The CR is available in 13 hydraulic sizes, four basic materials and over one million configurations. For more information on the many options to provide you with the right solution for your system demands, see pages 12 and 13.

Innovation Inside the CR

► Motor

Grundfos provides many motor solutions depending upon the application and demand. In addition, Grundfos makes its own motors to ensure maximum performance. The ML motors* are remarkably quiet and highly efficient. They are also available in the self-regulating MLE configuration, featuring an integrated variable frequency drive.

► Cartridge seal

The specially designed cartridge seal increases reliability, ensures safe handling and enables easy service and access.

► Shaft seal solutions

The cartridge shaft seal configuration comes in a wide choice of materials. It is available in flushed seal and double seal configurations as well as a Cool-top version that can handle temperatures up to +356°F (+180°C).

► Connection options

The Grundfos CR can be connected to any piping system.

► Dry-running sensor

The patented Grundfos LiqTec™ system eliminates the risk of breakdowns due to dry running. If there is no liquid in the pump, the LiqTec will immediately stop it.

► High-performance hydraulics

Pump efficiency is maximized by state-of-the-art hydraulic design and carefully crafted production technology.

► Durable bearings

The CR bearings provide remarkable long life thanks to hardwearing materials and a wide range of options for difficult liquids.

► Material options

The CR is available in four different materials: AISI 304/ cast iron, stainless steel AISI 304, stainless steel AISI 316, and titanium.

► Wide range of sizes

The CR comes in 13 hydraulic sizes and hundreds of pressure sizes, ensuring that you can always find exactly the right pump for the job.

To many, innovation is just a buzzword. At Grundfos, innovation is an integrated feature of all our products. After all, it's what's inside that matters.

* Grundfos ML motors are not available in Canada.



EFFICIENCY

Reduce the real costs

Electricity is the most expensive part of any pump—a simple fact that is often overlooked when pumps and prices are compared.

It may be surprising that the purchase price and maintenance costs account for less than 15% of the total lifetime cost of a pump. Electricity accounts for a staggering 85% or more of the total costs. So if you want to save money, that's where you should look.

The Grundfos CR makes a real difference; the table below shows just how much electricity a CR can save you annually.

These savings will continue for years and years – for every pump you own. Its low lifetime cost makes a CR pump a very sensible investment.

The table at right shows the unique efficiency of the Grundfos CR range.



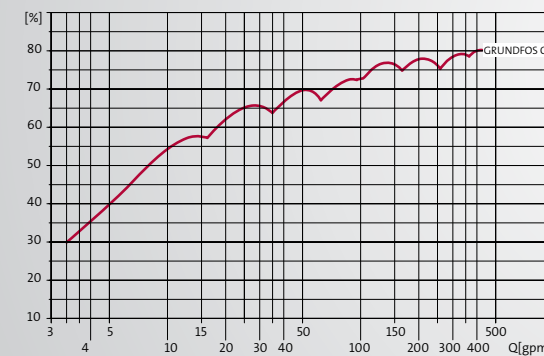
Efficiency saves money year after year

Getting the best possible overall efficiency out of your pump makes financial sense. The narrow interval between CR pump sizes allows you to eliminate the efficiency drop associated with over-sized pumps.

By minimizing the difference between pump capacity and the required pressure and volume, you get a pump which runs as close to its optimum duty point as possible. That makes it as cost-efficient as possible.

The result of years of Grundfos development work is a 10% increase in pump efficiency. This translates into a power reduction of 15-20% for the CR pumps. When pumps are in operation many hours a day, such improvements provide substantial savings – year in and year out.

CR pump efficiency



A Smart Way to Save

Grundfos CRE-pumps are your all-in-one energy saving solution: a pump and motor with an integrated frequency converter, controller and sensor.

Grundfos CRE-pumps offer all the advantages of a total system integration. They come with an integrated frequency converter, PID controller and, in some models, pressure or differential pressure sensor.

The pump, motor, frequency converter, PID controller and sensor are perfectly matched, tested and configured at the factory, which greatly facilitates the subsequent installation and commissioning.

An E-pump solution constitutes the ideal variable-speed solution for all types of industry and building applications.

GRUNDFOS CRE-PUMP FEATURES

- > Compact plug-and-pump solution
- > Factory configured and tested units
- > Limited on-site settings
- > Easy installation and commissioning
- > User-friendly interface
- > Advanced features and functionality
- > Remote control and monitoring via bus interface and R100 control

E-PUMP AVAILABILITY

Pumps

- > Grundfos multi-stage pumps: CRE/CRNE/CRIE

Range

- > 1-phase, 1x208-230V+/-10%, 60 Hz, 0.5-20 Hp for 2-pole motors and 0.33-1.0 Hp for 4-pole motors
- > 3-phase, 3x208-230V+/-10%, 60 Hz, 1.50-7.5 Hp for 2-pole motors
- > 3-phase, 3x460-480V+/-10%, 60 Hz, 1.0-30 Hp for 2-pole motors

Enclosure Class

- > TEFC, IP55

FLEXIBILITY AND FUNCTIONALITY

The Grundfos CUE is your ideal solution: a wall-mounted frequency converter, which has E-pump functionality.

CUE solutions cover most pump types, application areas, and power ranges outside the E-pump range.

A CUE solution is a great fit in situations where an integrated solution is either undesirable or prohibited - such as sanitary and hazardous areas.

The CUE solution offers you a space-saving installation, the freedom of choice, and speed-control functionality with new or existing Grundfos pumps.

GRUNDFOS CUE FEATURES

- > E-pump functionality
- > Start-up installation guide
- > Automatic setting of rotation direction during installation
- > Integrated display with an easy-to-use R100 style menu
- > Constant pressure or level control with stop function
- > Dedicated functions for groundwater applications
- > Remote control and monitoring via bus interface

CUE AVAILABILITY

Pumps

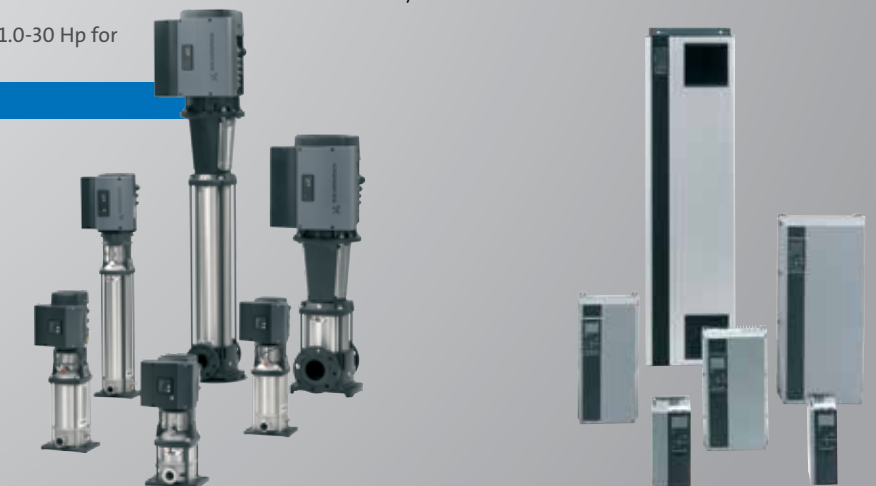
- > Applicable for Grundfos fixed-speed pumps

Range

- > 1-phase, 1x200-240+/-10%, 60Hz, 1.5-10 Hp
- > 3-phase, 3x200-240+/-10%, 60Hz, 1.0-60 Hp
- > 3-phase, 3x380-500+/-10%, 60Hz, 0.75-300 Hp
- > 3-phase, 3x525-600+/-10%, 60Hz, 1-10 Hp
- > 3-phase, 3x525-690+/-10%, 60Hz, 15-300 Hp

Enclosure Class

- > NEMA 1 / NEMA 12



RELIABILITY

Reliability in real life

The CR is well known for its reliability. And rightly so. The CR design has all the durability that customers expect from a high-quality multistage pump — and then some. We have added unique features to ensure unsurpassed reliability: dry-running protection, a unique cartridge seal, and a full-titanium variant.

The virtually endless range of standard and customized CR pumps means that you can find the right CR to provide reliable operation for most any requirement.

Superior dry-running protection

Dry running is the most common cause of pump failure. In most pumps, the shaft seal and bearings will burn out almost immediately if liquid stops flowing in the pump.

The Grundfos CR is different. As part of our constant dedication to innovation, we have tested new and alternative materials to bring you the best possible solution.



This means that we can equip CR pumps with a shaft seal and bearing system that can withstand extreme heat and friction for longer periods of time. This makes them more forgiving if the pump does run dry.

Grundfos LiqTec™ checks for liquid 24 hours a day

For those who need to avoid dry-running altogether, the Grundfos LiqTec is the answer. Available with all CR pumps, the LiqTec is plug-and-play technology at its very best. Ever vigilant, the LiqTec constantly checks that there is liquid in the pump. If there isn't, it stops the pump immediately.

It's reliable. And we can prove it.



In the event of dry running, the Grundfos LiqTec™ immediately shuts down the pump before damage occurs.

Unique cartridge seal design

The seal used in the CR line combines the best features of standard seals, wrapped up in an ingenious cartridge design. All of these ensure extra reliability.

The durable seal is made from hardwearing materials which prevent downtime and extend the lifetime of the seal. All axial movement has been eliminated, preventing wear of the shaft and rubber parts — a problem for traditional seals. The cartridge seal is a balanced type seal, which makes it less sensitive to pressure.

We know, however, that even the best of materials are subject to wear. That is why the innovative team at Grundfos sets out to eliminate the small, yet crucial, factors that can have a negative impact on pump reliability. Many of these have to do with handling, assembly and service.

The cartridge design ensures that the seal components will never be assembled incorrectly, the spring will never be incorrectly preloaded, and that sensitive surfaces will never be subjected to greasy fingers or dirt. These factors are common causes of short seal life in other pumps.

The cartridge design also enables rapid replacement when the seal ultimately does need changing. All in all, downtime is minimized, which translates into significant savings for your business.

The cartridge design allows you to replace the seal in minutes without special tools and without dismantling the pump.



Spacer coupling minimizes downtime too

Minimizing downtime is part of a reliable operation. That is why Grundfos has eliminated a major nuisance for owners of large pumps. Now, it is no longer necessary to remove heavy motors to replace the seal. With the innovative spacer coupling, motors 15 hp and larger can be left in place during seal replacement.



With unfailing attention to reliability, Grundfos engineers have designed an innovative cartridge seal that can be replaced within minutes — just one of the remarkable benefits it offers.

We've got solutions — wide-ranging, specific to your needs and superior in reliability

From magnetic drives or air-cooled shaft seal chambers and double shaft seals to special pumps for high-pressure performance and aggressive liquids, there is a CR for your unique requirements.

Our custom solutions engineering department works exclusively to custom design pumps for industry. Every day Grundfos customers order pumps that will handle:

- extreme temperatures
- extreme pressures
- aggressive/hazardous liquids
- vaporous liquids
- low NPSH level
- belt drive
- paints
- varnishes
- high viscosity liquids
- explosive liquids
- horizontal mounting

The CR range is available in four different basic materials:



CR
AISI 304 stainless steel with a cast iron top and base



CRI
AISI 304 stainless steel throughout



CRN
AISI 316 stainless steel throughout



CRT
Titanium throughout

What can you pump with a CR?

Aggressive or corrosive liquids	Seawater, hypochlorites, hydrochloric acid, ferric chloride, nitric acid, chromic acid, phosphoric acid
Abrasive liquids	Metasilicate-containing cleaning agents, abrasive alkaline cleaners, phosphates
Toxic or explosive liquids	Trichlorethylene, toluene, petroleum, ethyl alcohol, methyl alcohol
High-viscosity liquids	Glycols, carboxylates (for cooling), lubricating oils, rapeseed oil
Hardening liquids	Water-based paint, glue, vegetable oils
Crystallizing liquids	Glycol additives, naphthalene, sugar products (e.g. dextran), salts
High pressures	Water treatment, cleaning/washing
Extreme temperatures	Petrochemicals, oils, boiler feed, secondary coolants

Customized Solutions — over a million combinations for CR

Grundfos CR has the most extensive range on the market, but standard pump ranges can't match all conceivable applications. Customers needing a non-standard solution are able to pick and choose pump elements or "modules" to cover nearly any situation.

Working in close cooperation with you, our skilled specialists carefully analyze the situation to make sure the solution fully meets your expectations. If you do not find a suggestion to suit your particular problem in our brochure, contact Grundfos with your requirements, and we will do everything we can do to provide a solution.

Full range of motor variants available

While the standard range of Grundfos motors will cover most application demands, customized solutions are available for special needs. Contact Grundfos if you have specific requirements. Integrated variable frequency drives ("smart" pumps) are included in our standard range of pumps.

Specialized seals for unique situations

Most pumps are used for watery liquids at temperatures below +248°F (+120°C) and pressures lower than 362 psi (25 bar). When the pumped liquid goes beyond these limits, special solutions are required, and our modular approach offers wide-ranging solutions to handle the challenge.



CRN 3 Cool-top



CRN 3 double shaft seal



CR high-pressure

Grundfos CRN MAGdrive solution eliminates the need for shaft seals via a patent pending magnetic-drive system where the power from the motor is transmitted to the pump by magnetic force. Combined with a hermetically-sealed liquid end, the pump is totally leak free, and offers the best solution for pumping dangerous, aggressive, or volatile liquids.



CRN MAGdrive

Rugged pump modules

The CR range is available in 13 flow sizes and various grades of corrosion-resistant stainless steel, as well as corrosion-free titanium. Contact Grundfos for help in selecting the right CR components for your customized pump.

Motor options

- Special supply voltages and protection methods
- Non-standard motor size (e.g. for pumping high or low viscosities)
- Explosion-proof, dust ignition-proof
- For extreme temperatures, humidity, or altitudes
- Specific approval requirements
- Non-Grundfos motor

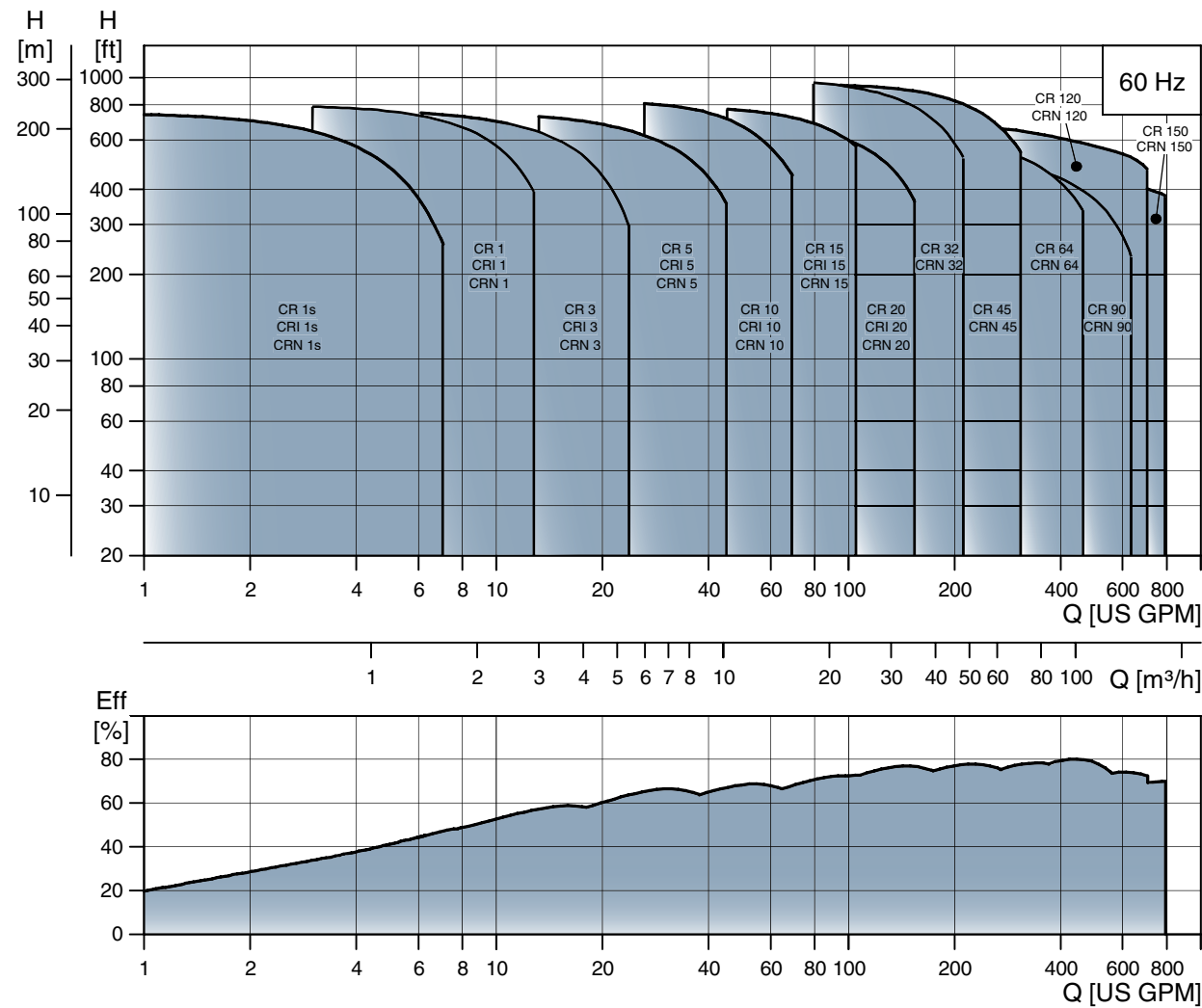
Shaft seal options

- Chemical resistant O-rings for aggressive chemicals
- Special seal face or LiqTec™ run-dry sensor to protect against dry running
- Balanced high-pressure shaft seal for 362 to 580 psi
- Air-cooled shaft seal system for extreme high temperatures
- Double shaft seal with pressure chamber for pumping explosive or poisonous liquids

Pump options

- Horizontal position for height limitations
- Low NPSH pumps
- High-pressure pumps
- Special surface treatments or approvals
- Pumps for extreme temperatures
- Silicone-free pumps
- Corrosion-free titanium CRT pumps for seawater or highly corrosive liquids
- Wide variety of connections

PERFORMANCE CURVES AND TECHNICAL DATA



CR Product Range

Range:	CR 1s	CR, CRE 1	CR, CRE 3	CR, CRE 5	CR, CRE 10	CR, CRE 15	CR, CRE 20	CR, CRE 32	CR, CRE 45	CR, CRE 64	CR 90	CR 120	CR 150
Nominal flow rate (US GPM)	4.5	8.5	15	30	55	95	110	140	220	340	440	610	750
Temperature range (°F)	-4 to +250												
Temperature range (°F) - on request	-40 to +356												
Max. working pressure (psi)	360	360	360	360	360	360	360	435	435	435	435	435	435
Max. working pressure (psi) - on request	-	725	725	725	725	725	725	580	580	580	580	580	580
Max. pump efficiency (%)	35	49	59	67	70	72	72	76	78	79	80	75	73
CR pumps													
CR: Flow range (US GPM)	0.5 - 5.7	1 - 12.8	1.5 - 23.8	3 - 45	5.5 - 70	9.5 - 125	11 - 155	14 - 210	22 - 310	34 - 450	44 - 630	61 - 700	75 - 792
CR: Max. pump pressure (H(ft))	760	790	790	780	865	800	700	995	940	565	595	685	570
CR: Motor power (HP)	1/3 - 2	1/3 - 3	1/3 - 5	3/4 - 7 1/2	3/4 - 15	2 - 25	3 - 25	3 - 40	7 1/2 - 60	7 1/2 - 60	15 - 60	20 - 100	25 - 100
CRE pumps													
CRE: Flow range (US GPM)	-	0 - 12.8	0 - 23.8	0 - 45	0 - 70	0 - 125	0 - 155	0 - 210	0 - 310	0 - 450	-	-	-
CRE: Max. pump pressure (H(ft))	-	790	790	780	665	390	270	240	120	100	-	-	-
CRE: Motor power (HP)	-	1/3 - 3	1/3 - 5	3/4 - 7 1/2	3/4 - 10	2 - 10	3 - 10	3 - 10	7 1/2	7 1/2	-	-	-
Version:													
CR, CRE:	•	•	•	•	•	•	•	•	•	•	•	•	•
Cast Iron and stainless steel AISI 304	•	•	•	•	•	•	•	•	•	•	•	•	•
CR, CRE:	•	•	•	•	•	•	•	•	•	•	•	•	•
Stainless steel AISI 304	•	•	•	•	•	•	•	•	•	•	•	•	•
CRN, CRNE:	•	•	•	•	•	•	•	•	•	•	•	•	•
Stainless steel AISI 316	•	•	•	•	•	•	•	•	•	•	•	•	•
CRT, CRTE:	-	-	CRT 2	CRT 4	CRT 8	CRT 16	-	-	-	-	-	-	-
Titanium	-	-	CRTE 2	CRTE 4	CRTE 8	CRTE 16	-	-	-	-	-	-	-
CR, CRE pipe connection:													
Oval Flange (NPT)	1"	1"	1"	1 1/4"	2"	2"	2"	-	-	-	-	-	-
Oval Flange (NPT) - on request	1 1/4"	1 1/4"	1 1/4"	1"	1 1/2"	2 1/2"	2 1/2"	-	-	-	-	-	-
ANSI Flange Size	1 1/4"	1 1/4"	1 1/4"	1 1/4"	2"	2"	2"	2 1/2"	3"	4"	4"	5"	5"
ANSI Flange Size - on request	-	-	-	-	-	-	-	3"	4"	5"	5"	6"	6"
ANSI Flange Class	300 lb.	300 lb.	300 lb.	300 lb.	250 lb.	250 lb.	250 lb.	125/250 lb.	125/250 lb.	125/250 lb.	125/250 lb.	125/250 lb.	125/250 lb.
CR, CRE pipe connection:													
Oval Flange (NPT)	1"	1"	1"	1 1/4"	2"	2"	2"	-	-	-	-	-	-
Oval Flange (NPT) - on request	1 1/4"	1 1/4"	1 1/4"	1"	1 1/2"	-	-	-	-	-	-	-	-
ANSI Flange Size	1 1/4"	1 1/4"	1 1/4"	1 1/4"	2"	2"	2"	-	-	-	-	-	-
ANSI Flange Class	300 lb.	300 lb.	300 lb.	300 lb.	300 lb.	300 lb.	300 lb.	-	-	-	-	-	-
Clamp coupling (NPT) - on request	1", 1 1/4"	1", 1 1/4"	1", 1 1/4"	1", 1 1/4"	1 1/2", 2"	1 1/2", 2"	2", 2 1/2"	-	-	-	-	-	-
Union (NPT ext. thread) - on request	2"	2"	2"	2"	-	-	-	-	-	-	-	-	-
CRN, CRNE pipe connection:													
PJE (Victaulic)	1 1/4"	1 1/4"	1 1/4"	1 1/4"	2"	2"	2"	-	-	-	-	-	-
PJE (Victaulic) - on request	-	-	-	-	-	-	-	3"	4"	4"	4"	4"	4"
ANSI Flange Size	1 1/4"	1 1/4"	1 1/4"	1 1/4"	2"	2"	2"	2 1/2"	3"	4"	4"	5"	5"
ANSI Flange Size - on request	-	-	-	-	-	-	-	3"	4"	5"	5"	6"	6"
ANSI Flange Class	300 lb.	300 lb.	300 lb.	300 lb.	300 lb.	300 lb.	300 lb.	150/300 lb.	150/300 lb.	150/300 lb.	150/300 lb.	150/300 lb.	150/300 lb.
Clamp coupling (NPT) - on request	1", 1 1/4"	1", 1 1/4"	1", 1 1/4"	1", 1 1/4"	1 1/2", 2"	1 1/2", 2"	2", 2 1/2"	-	-	-	-	-	-
Union (NPT ext. thread) - on request	2"	2"	2"	2"	-	-	-	-	-	-	-	-	-
CRT pipe connection:													
PJE coupling (Victaulic)	-	-	1 1/4"	1 1/4"	2"	2"	-	-	-	-	-	-	-
ANSI Flange Size - on request	-	-	-	-	2"	2"	-	-	-	-	-	-	-

•: Available

-: Not available

1) CRN 32 to CRN 90 with HQQE shaft seal: -40 °F to +250 °F

2) CR, CRN 120 and 150 with 75 or 100 Hp motors with HBQE shaft seal: 0 °F to +250 °F

The CR range from Grundfos

Grundfos was the first company to develop a multi-stage in-line pump, and today the CR remains second to none. It is the most extensive in-line pump program on the market, matching customer requirements with many innovative features unique to Grundfos. CR provides superior reliability and the lowest possible cost of ownership to customers worldwide.

Impressive as the CR range is, Grundfos offers much more. Our complete range of pump solutions means that you can rely on Grundfos know-how and our complete dedication to quality and service for all pump applications — industrial and domestic.

L-CR-SL-010 Rev. 06-14 (US)

GRUNDFOS Kansas City
17100 West 118th Terrace
Olathe, Kansas 66061
Phone: (913) 227-3400
Fax: (913) 227-3500

GRUNDFOS Canada
2941 Brighton Road
Oakville, Ontario
L6H 6C9
Phone: (905) 829-9533
Fax: (905) 829-9512

GRUNDFOS Mexico
Boulevard TLC No. 15
Parque Industrial Stiva Aeropuerto
C.P. 66600 Apodaca, N.L. Mexico
Phone: 011-52-81-8144 4000
Fax: 011-52-81-8144 4010

www.grundfos.us

The name Grundfos, the Grundfos logo, and be think innovate are registered trademarks owned by Grundfos Holding A/S or Grundfos A/S, Denmark. All rights reserved worldwide.

GRUNDFOS 